

TROUBLESHOOTING

Problem: fan does not operate	Make sure that the socket wall switch is tuned ON that the switch breaker is turned ON	Problem: remote does not function	Be sure that the plastic pull tab included with the remote has been removed and that the battery in the remote is properly installed. If the remote still does not operate the fan, replace the remote battery with a CR2025 battery.
---	--	---	---

CLEANING

- To clean your fan, first, turn off the wall switch and unscrew the fan from the socket. Clean your fan with a damp cloth and allow to fully dry before reinstalling.
- Do not attempt to take the fan apart

REMOTE BATTERY STATEMENT

- Use type CR2025 batteries only.
- Install only new batteries of the same type in your product.
- Failure to insert batteries in the correct polarity, as indicated in the battery compartment, may shorten the life of the batteries or cause batteries to leak.
- Do not mix old and new batteries.
- Do not mix Alkaline, Standard (Carbon-Zinc) or Rechargeable (Nickel Cadmium) or (Nickel Metal Hydride) batteries.
- Danger of explosion if battery is incorrectly replaced.
- Batteries should be recycled or disposed of as per state or local guidelines.

REMOTE CONTROL BATTERY REPLACEMENT

- On the back of the remote, press the release button on the bottom right hand side. This will allow the tray containing the battery to be released. Release the tray by squeezing the small lip and pulling down the tab at the bottom of the remote (Fig. 2).
- Replace the battery with one new CR2025 button battery. Important: Install only new batteries of the same type in your product. Failure to insert batteries in the correct polarity, as indicated in the battery compartment, may shorten the life of the batteries or cause batteries to leak. Do not mix Alkaline, Standard (Carbon-Zinc) or Rechargeable (Nickel Cadmium) or (Nickel Metal Hydride) batteries. Danger of explosion if battery is incorrectly replaced. DO NOT DISPOSE OF BATTERY IN FIRE, BATTERY MAY EXPLODE OR LEAK
- This product contains a button cell battery. If swallowed, it could cause severe injury or death in just 2 hours. Seek medical attention immediately.

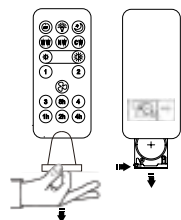


Fig. 1 Fig. 2

HAVE A PROBLEM? PLEASE CONTACT CUSTOMER SERVICE.

Should you have any questions or comments please contact us at: customerservice@blackstoneltd.com or by phone at 1-888-525-7969

WARRANTY: This fan includes a one (1) year warranty, which covers manufacturer defects and workmanship under normal use. Warranty is offered only to the original purchaser. Proof of purchase is required. Proof of purchase constitutes a dated sales receipt. This warranty is void if the fan(s) have been subject to abuse such as: being dropped which could result in damage to the fan cabinets, motors, fan controls, etc. immersion in or exposure to water, exposure to excessive heat, outdoor usage, any use other than household use, disassembly, repair or alteration by anyone other than an authorized service provider, use on improper voltage or current, or any use contrary to the user instructions. Batteries and battery life are not covered in this warranty. DO NOT attempt to repair any electrical or mechanical functions of this product; doing so will void this warranty and could lead to injury.

This warranty gives you specific legal rights, and you may also have other rights which vary from state to state.

FCC STATEMENT OF COMPLIANCE

- This device complies with Part 15 of the FCC Rules. Operation is subject to the following two conditions: (1) this device may not cause harmful interference, and (2) this device must accept any interference received, including interference that may cause undesired operation.

Instruction manual shall include,

- Warning: Changes or modifications to this unit not expressly approved by the party responsible for compliance could void the user's authority to operate the equipment.

-NOTE: This equipment has been tested and found to comply with the limits for a Class B digital device, pursuant to Part 15 of the FCC Rules.

These limits are designed to provide reasonable protection against harmful interference in a residential installation. This equipment generates, uses and can radiate radio frequency

energy and, if not installed and used in accordance with the instructions, may cause harmful interference to radio communications. However, there is no guarantee that interference will not occur in a particular installation. If this equipment does cause harmful interference to radio or television reception, which can be determined by turning the equipment off and on, the user is encouraged to try to correct the interference by one or more of the following measures:

- Reorient or relocate the receiving antenna.
- Increase the separation between the equipment and receiver.
- Connect the equipment into an outlet on a circuit different from that to which the receiver is connected.
- Consult the dealer or an experienced radio/TV technician for help.



BLACKSTONE®

CASCADE

CEILING FAN

INSTRUCTION MANUAL

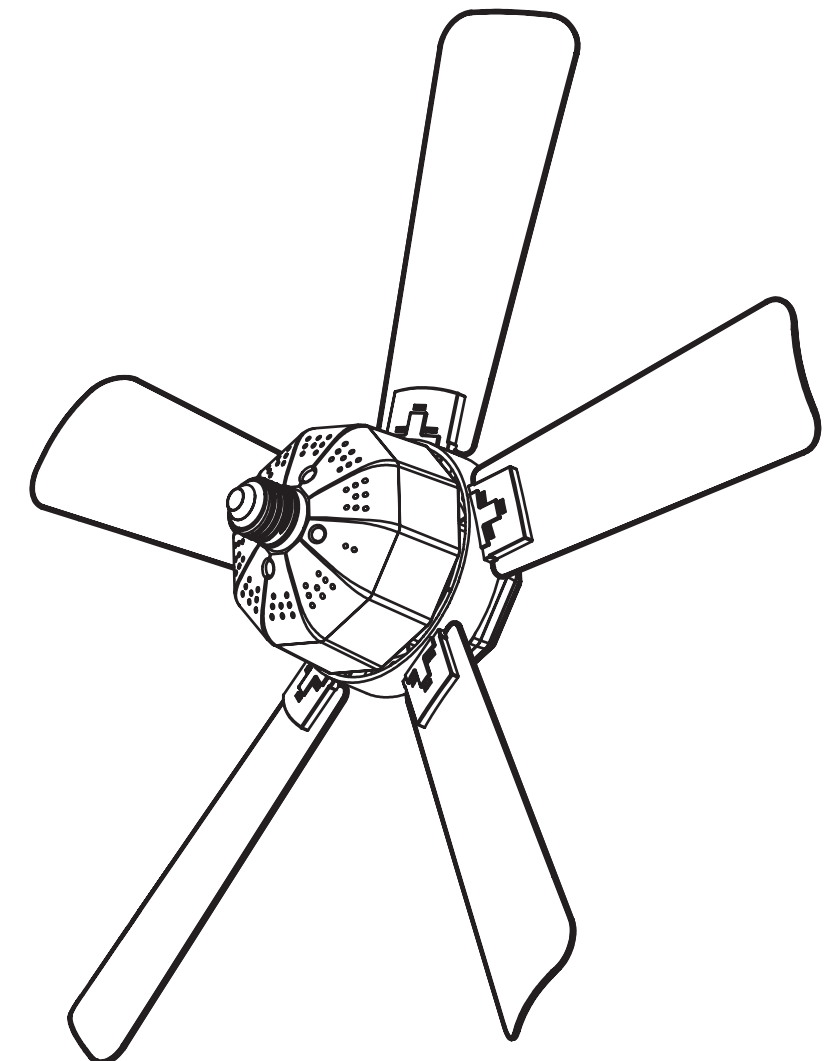
MODEL: CSF-B-23, CSF-W-23,
CSF-DB-23, CSF-G-23

INPUT VOLTAGE: 120V AC

INPUT CURRENT: 0.45A

POWER: 27W

MAX LIGHT OUTPUT: 1400 lumen



**IMPORTANT, RETAIN FOR
FUTURE REFERENCE:
READ CAREFULLY
FOR HOUSEHOLD USE ONLY**

This product contains a button battery. If swallowed, it could cause severe injury or death in just 2 hours. Seek medical attention immediately.

Blackstone International Ltd. and other trademarks are the property of the respective owners. All other brand names and logos are registered trademarks of their respective owners.

MADE IN CHINA | Distributed by: Blackstone International, Ltd.