

**PLEASE READ AND SAVE THESE INSTRUCTIONS WHEN USING ELECTRICAL APPLIANCES, BASIC PRECAUTIONS SHOULD ALWAYS BE FOLLOWED TO REDUCE THE RISK OF FIRE, ELECTRIC SHOCK AND INJURY TO PERSON OR PROPERTY, INCLUDING THE FOLLOWING:**

- Read all instructions before using this product.
- Use this fan only as described in this manual. Any other use not recommended by the manufacturer may cause fire, electrical shock or injury to person or property and may void the warranty.
- KEEP OUT OF REACH OF CHILDREN
- DO NOT USE IF THE PRODUCT IS DAMAGED
- TURN OFF POWER TO LIGHT SOCKET BEFORE INSTALLING
- Always turn off power and unscrew the fan before assembly, disassembly or cleaning.
- To uninstall, turn off power to the socket and unscrew the fan from the socket.
- The use of attachments is not recommended nor sold by the manufacturer and may cause hazards.
- Avoid contact with moving parts.
- DO NOT operate the fan with damaged blades, damaged housing, or if dropped or damaged in any manner.
- DO NOT operate the fan in the presence of explosive and/or flammable fumes.
- Extreme caution is necessary when fan is used by or near children and whenever the fan is left operating and unattended.

- This product is intended for household use only and not for commercial or industrial use.
- DO NOT use outdoors.
- DO NOT operate if the fan housing is removed or damaged.
- WARNING: KEEP BATTERIES OUT OF REACH OF CHILDREN
- Swallowing may lead to serious injury in as little as 2 hours or death, due to chemical burns and potential perforation of the esophagus.
- If you suspect your child has swallowed or inserted in their body a button battery, immediately seek urgent medical assistance.
- Examine devices and make sure the battery compartment is correctly secured, e.g. that the screw or other mechanical fastener is tightened. Do not use if compartment is not secure.
- Dispose of used button batteries immediately and safely. Flat batteries can still be dangerous.
- Tell others about the risk associated with button batteries and how to keep children safe.

**WARNINGS**

- If you experience issues with installation, or have any questions, please contact Blackstone International customer service or consult with a qualified electrician.
- To reduce the risk of electric shock, this unit must be installed with an isolating wall switch.
- Switch off the power before installing the unit or removing the unit from a socket.
- This product can only be installed in a stationary ceiling light socket.
- Not for use in portable luminaires.
- Do not install in a loose socket.
- For residential use only.
- This product must be installed in accordance with the applicable installation code by a person familiar with the construction and operation of the product and the hazards involved.
- Do not bend the blades when installing

- To reduce the risk of personal injury, install unit at least 8 feet (2.43m) above the floor.
- Do not look directly into the fan's light
- Keep fan blades clear of objects
- Never place anything over the fan or into the unit blades when it's running.
- Use in open luminaires only.
- Not intended for use with dimmers
- Do not modify the product
- Do not use with emergency exits
- Do not attempt to handle the fan while it is operating.

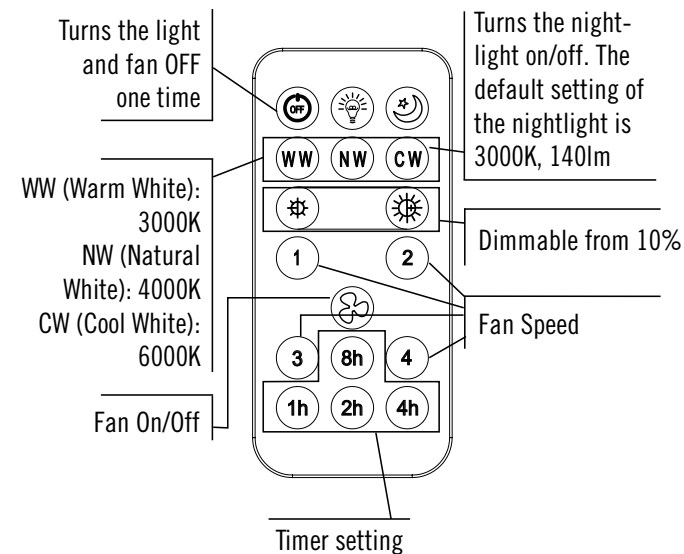


**WARNING: Chemical Burn Hazard. Keep batteries away from children.**  
 This product contains a lithium button/coin cell battery. If a new or used lithium button/coin cell battery is swallowed or enters the body, it can cause severe internal burns and can lead to death in as little as 2 hours. Always completely secure the battery compartment. If the battery compartment does not close securely, stop using the product, remove the batteries, and keep it away from children. If you think batteries might have been swallowed or placed inside any part of the body, seek immediate medical attention. The cells shall be disposed of properly, including keeping them away from children. Even used cells may cause injury.

ATTENTION: If the blades of the fan come into contact with an object while running, the unit will turn the fan OFF. Turn the wall switch OFF and remove the object. Turn the wall switch ON and use the remote to start the fan.

**REMOTE CONTROL**

- The remote control can operate the fan from up to 16' \*(feet) away.
- The unit will beep each time a button on the remote is pressed.
- The timer setting is for the fan only and will not operate the light.

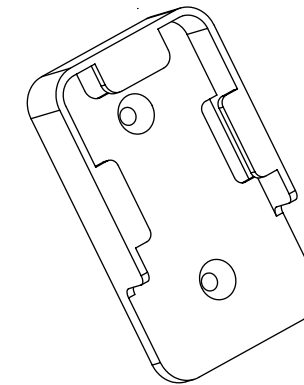


- Timer hours can be added together by pressing hour buttons within 10 seconds of each other.  
*Example: pressing the 1h and then the 4h button within ten seconds will set the timer to 5 hours*
- Hours can be added together from 1-15 hours
- How to reset the timer:
  - Press another non-timer button on the remote control to reset the timer, or, turn the unit OFF and turn it back ON
  - Pressing a timer button and then pressing another timer button more than 10 seconds later will cause the timer function to change to the most recent hour selection.

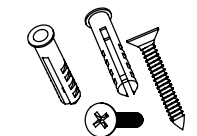
**INSTALLATION**

Turn the power to the socket OFF using the wall switch before installing the unit. After, screw the unit into the socket in a clockwise motion. Ensure that the unit is fully tightened. Turn the socket power ON using the wall switch. The product's light will illuminate on the 100% brightness default setting. Use the remote to operate the unit and choose the desired settings.

**INSTALL REMOTE HANGER**



Using the included screws and wall anchors, mount the remote wall hanger in the desired position and tighten screws to secure



**ASSEMBLY**

- Assembly is required before the unit can be installed in a socket.
- Attach each blade to the motor housing – the blades can only be inserted one way and will “click” once fully attached to the bracket.
- Be careful not bend the blades and brackets during assembly to reduce the risk of injury.

