



Thank you for your purchase!

Please read all instructions before using the product

Model Number: RLB-4-24

# Sunter Rechargeable Light Bulb 4-Pack



## Instruction Manual

### FUNCTIONS:

#### Everyday Use

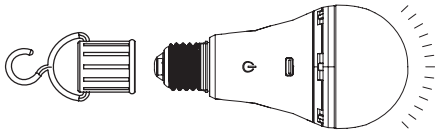
- Compatible with E26 socket lighting fixtures.
- The bulb includes an integrated battery that will charge whenever power to the socket it is installed in is turned ON.

#### Power Outage

- In the event of a power outage, the bulb will automatically illuminate and run on battery power

#### Portable Light Source

- Use the included conversion caps to use your bulb as a flashlight or a hanger wherever portable lighting is needed.



**Should you have any questions about this product's performance or assembly, DO NOT return to the store. Please call us toll free at 1-888-525-7969 or email [customerservice@blackstoneltd.com](mailto:customerservice@blackstoneltd.com)**

Distributed by:  
Blackstone International, Ltd.  
2018 Lord Baltimore Dr.  
Windsor Mill, MD 21244  
[customerservice@blackstoneltd.com](mailto:customerservice@blackstoneltd.com)  
1-888-525-7969  
[www.blackstoneinternational.ltd](http://www.blackstoneinternational.ltd)

### CONTENTS:

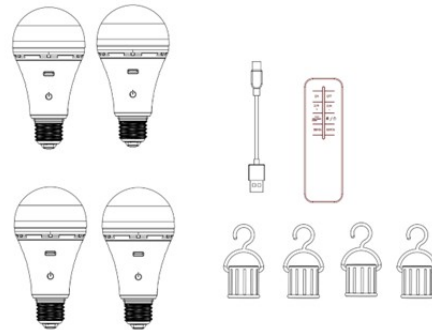
4 X RECHARGEABLE LIGHT BULBS

4 X CONVERSION CAPS

1 X USB CHARGING CABLE

1 X REMOTE CONTROL

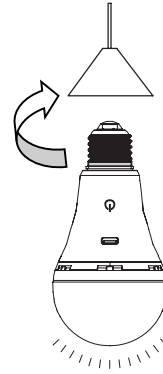
1 X INSTRUCTION MANUAL



©2024 Blackstone International Ltd. Sunter™ Rechargeable Light Bulb 4-Pack and other trademarks are the property of the respective owners. All other brand names and logos are registered trademarks of their respective owners. Specifications are subject to change without notice.

# QUICK START GUIDE

- Before installing your bulb into a socket, turn the power to the socket OFF.
- After installing a bulb into a socket, turn the socket ON, your rechargeable bulb will illuminate.
- Your bulb will remain ON after the socket it is installed in is turned OFF. Your bulb will need to be turned OFF using the remote control.
- In addition to the remote control, your bulb can also be controlled using the power button located on the side of the bulb.
  - o Press and hold the power button on the bulb for 3 seconds to turn the light ON
  - o To adjust your bulb's brightness, turn the bulb ON. Then, briefly press the power button to adjust. Each tap will increase the bulb's brightness 10%. Once the bulb is at 100% brightness, an additional tap will adjust the brightness to 10% and the cycle will restart.
  - o To turn the bulb OFF, press and hold the power button for 3 seconds



## CHARGING YOUR LIGHT BULBS

1. You can charge the bulbs by inserting them into an E26 socket light fixture and powering on the electricity

2. You can also charge the bulb by plugging in the included USB cable to the micro - USB port on the bulb and the other end into a USB adapter

\*A small light in the USB port on the bulb will appear red when the bulb is charging and will turn green when fully charged.

## ELECTRICAL SPECIFICATIONS:

- 8 Watt, 60Hz, 120V (AC)

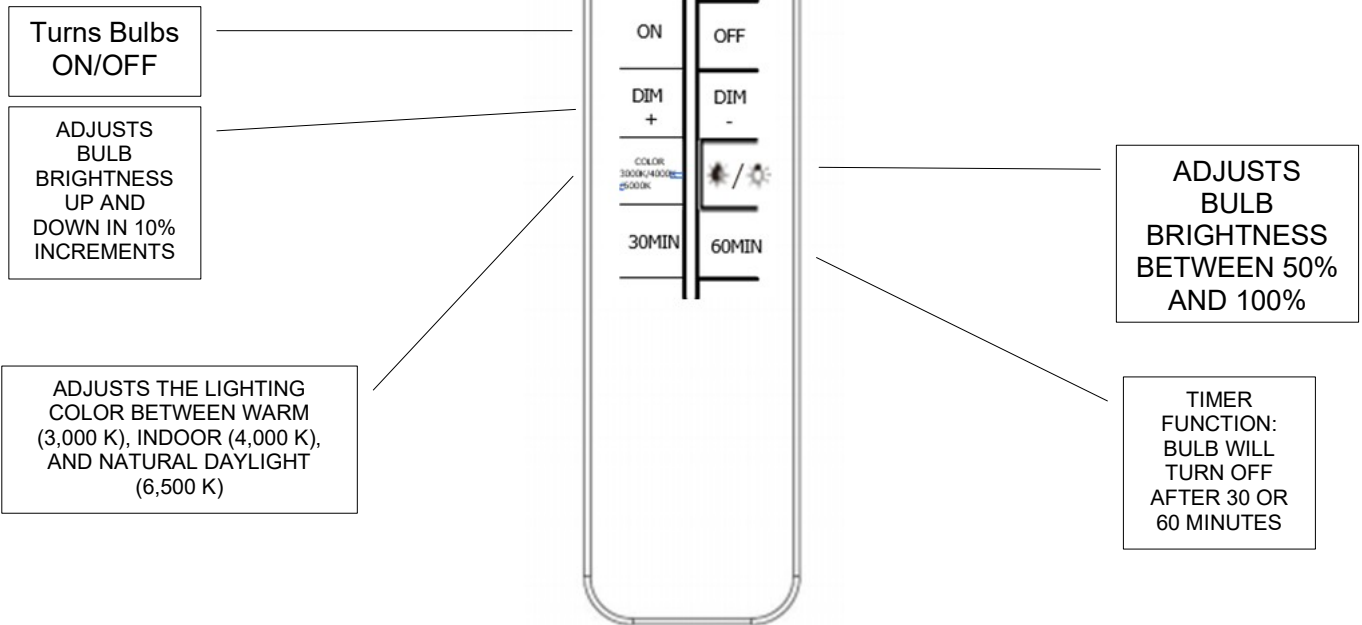
MAXIMUM RUN TIMES ON BATTERY POWER (FULL CHARGE) – BULBS TAKE ABOUT 2 HOURS TO FULLY CHARGE. BULBS CAN BE USED WHILE THEY ARE CHARGING.

BRIGHTNESS	100%	75%	50%	25%	10%
RUN TIME	1 HOUR	1.3 HOURS	2 HOURS	4 HOURS	11 HOURS

\*Times are estimated run times based on product testing.

# REMOTE FUNCTION

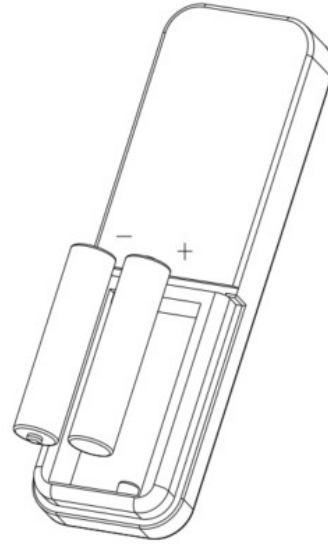
Remote Range: 26'



The remote controls ALL bulbs at the same time.

# REMOTE CONTROL BATTERY REPLACEMENT

- For best results, use type AAA alkaline
- Install only new batteries of the same type in your product.
- Failure to insert batteries in the correct polarity, as indicated in the battery compartment, may shorten the life of the batteries or cause batteries to leak.
- Do not mix old and new batteries.
- Do not mix Alkaline, Standard (Carbon-Zinc) or Rechargeable (Nickel Cadmium) or (Nickel Metal Hydride) batteries.
- Danger of explosion if battery is incorrectly replaced.



REPLACE WITH AAA  
ALKALINE BATTERIES

# TROUBLE SHOOTING GUIDE

PROBLEM	CAUSE	SOLUTION
<b>Bulb will not turn ON when running on battery power</b>	The bulb is not sufficiently charged.	Charge the bulb by installing it on a socket with the power turned ON or use the included USB charger to charge your bulb.
<b>The bulb will turn ON when a socket is turned ON but will not turn OFF when a socket is turned OFF.</b>	If the bulb is turned ON from the socket, the remote will need to be used to turn the bulb OFF.	Use the remote control or bulb power button needs to be used to turn the bulb OFF.
<b>The bulb will not respond to the remote control</b>	The bulb and remote are too far apart, the remote batteries need to be replaced, or the bulb is not charged.	Make sure that you are within 26 feet of the bulb. If the remote still will not control the bulb, replace the batteries in the remote with new batteries. Make sure that the bulb has been charged.
<b>The bulb is flickering</b>	Bulb is installed in a socket with a dimmer switch, the bulb is not sufficiently charged, or the bulb is not properly installed in the socket.	Make sure that the bulb is not installed in a socket with a dimmer switch. Charge the bulb sufficiently. Check to make sure the bulb is properly installed in the socket.

## • FOR HOUSEHOLD USE ONLY - SAVE THESE INSTRUCTIONS

This device complies with Part 15 of the FCC Rules. Operation is subject to the following two conditions: (1) this device may not cause harmful interference, and (2) this device must accept any interference received, including interference that may cause undesired operation. This Class B digital apparatus complies with Canadian ICES-005. NOTE: This equipment has been tested and found to comply with the limits for a Class B digital device, pursuant to Part 15 of the FCC Rules. These limits are designed to provide reasonable protection against harmful interference in a residential installation. This equipment generates, uses and can radiate radio frequency energy and, if not installed and used in accordance with the instructions, may cause harmful interference to radio communications. However, there is no guarantee that interference will not occur in a particular installation. If this equipment does cause harmful interference to radio or television reception, which can be determined by turning the equipment off and on, the user is encouraged to try to correct the interference by one or more of the following measures:

- Reorient or relocate the receiving antenna.
- Increase the separation between the equipment and receiver.
- Connect the equipment into an outlet on a circuit different from that to which the receiver is connected.
- Consult the dealer or an experienced radio/TV technician for help.

## WARNINGS

- Do not use with a dimmer wall switch.
- Do not submerge or operate near water.
- Do not operate where aerosol (spray) products are being used or where oxygen is being administered.
- Do not operate the bulb if it has been dropped, damaged, or dropped into water.
- Keep the charging cord and bulb away from heated surfaces.
- Changes or modifications to this unit not expressly approved by the party responsible for compliance could void the user's authority to operate the equipment.
- Do not charge the bulb if the bulb or the charging cable have been damaged.
- Do not attempt to disassemble the unit.

**HAVE A PROBLEM? DO NOT RETURN TO PLACE OF PURCHASE. PLEASE CONTACT CUSTOMER SERVICE.**

**Should you have any questions or comments please contact us at:  
customerservice@blackstoneltd.com | 1-888-525-7969**

WARRANTY: This folding mirror includes a one (1) year warranty, which covers manufacturer defects and workmanship under normal use. Proof of purchase is required. A dated sales receipt constitutes proof of purchase. This warranty is void if the mirror has been subject to abuse such as: being dropped which could result in damage, etc.; immersion in or exposure to water; exposure to excessive heat, outdoor usage, any use other than household use; disassembly, repair or alteration by anyone other than an authorized service provider; use on improper voltage or current; or any use contrary to the user instructions. This warranty gives you specific legal rights, and you may also have other rights which vary from state to state

To receive coverage under this warranty, contact customer service for consultation and/or replacement.

DO NOT attempt to repair any electrical or mechanical functions of this product; doing so will void this warranty. IN NO EVENT SHALL BLACKSTONE INTERNATIONAL LTD BE LIABLE FOR ANY SPECIAL, INCIDENTAL, OR CONSEQUENTIAL DAMAGES FOR BREACH OF THIS OR ANY OTHER WARRANTY, EXPRESS OR IMPLIED, WHATSOEVER.